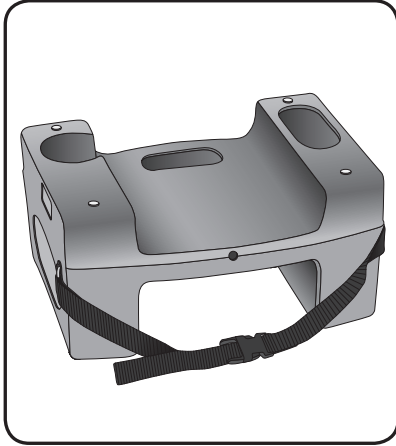




# Booster Buddy Usage Instructions

P/N KB116 / KB117

## **WARNING:**



- Prevent serious injury or death. Do not use in motor vehicles.
- Children have suffered **head injuries**, including skull fractures, **after falling** with or from booster seats.
- Check that booster seat is **securely attached** to adult chair before each use.
- **Never** allow child to **push away from table**.
- **Never lift** and **carry** child in booster seat.
- **Stay near** and **watch** your child during use.
- Always secure booster to an adult chair using strap. The booster seat shall be used on an adult chair. The adult chair must have a minimum seat width of 17" and depth of 13", and with a backrest that has a minimum height of 10" measured from the adult chair seat surface.

## You are responsible for the safe operation of this unit.

**Please Note:** Always secure booster to an adult chair using strap, periodically checking strap to ensure secure fit to adult chair. Not intended for children under 36 months of age.

### Inspection Criteria

The strap must be functioning and not frayed. The buckle must click when closed. Rubberized pads should be attached firmly to each side of the booster. (If damaged, please replace.)

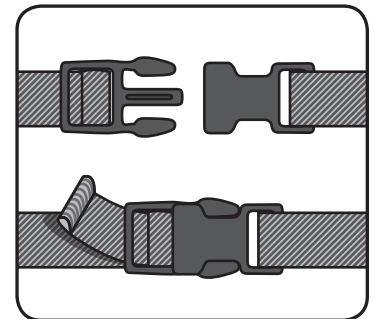
The warning label should be affixed to the product in a conspicuous place, and be undamaged and readable. If not, please replace.

**To order replacement parts call 888.733.3456 or 303.539.8300 or visit [www.koalabear.com](http://www.koalabear.com).**

### Restraint Usage

To fasten the strap, push spring tabs into the buckle receptacle until both lock in place with an audible "click".

The strap can be adjusted to make it tighter or looser.



### Maintenance

**Clean and sanitize regularly.** Wipe down booster seat with a soft rag using a non-abrasive cleaner.

**Important:** DO NOT USE BLEACH on this product. May cause discoloration. Use of bleach on this product will void warranty. Do not use abrasive cleaners as they can scratch the product.

**Koala Kare Products** A Division of Bobrick  
6982 South Quentin St., Centennial, CO 80112-3945

**Main** 303.539.8300 **Toll Free** 888.733.3456  
**Fax** 303.539.8399 **[Koalabear.com](http://Koalabear.com)**

P/N 1350 - October 2017