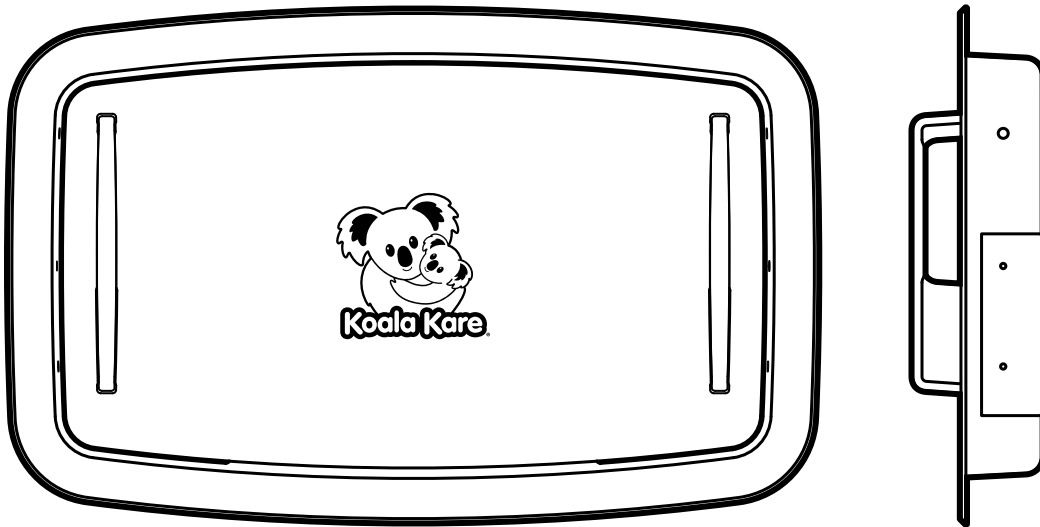




Koala Kare Products

Installation & Operations Instructions



KB310-SSRE

Recessed-Mounted Baby Changing Station

Cambiador Plegable
Table à Langer
Babywickelstation



Important. Retain for future reference. Read carefully.

Importante. Guárdelo para futuras consultas. Leer atentamente.

Important. À conserver pour information. À lire attentivement.

Wichtig. Zur späteren bezugnahme aufbewahren. Bitte sorgfältig durchlesen.

The KB310 Baby Changing Stations have been designed to meet the following applicable provisions of the 2010 ADA Standards (ADAS) and the 2009/2017 American National Standards Institute A117.1 Standards (ANSI 2009/2017) and the 2012 Texas Accessibility Standard (TAS) when properly installed and maintained. To comply with these accessibility requirements the unit must be installed in a compliant location and height in accordance with the installation instructions.

You are responsible for the safe operation of this unit.



KB310-SSRE

Operations Instructions

Please Note

To assure proper installation, it is suggested that a qualified person or carpenter install the Koala Baby Changing Station. Koala Kare Products will not be responsible if the station is not installed properly. Koala Baby Changing Stations have been tested to hold a substantial static load. The unit must be attached to a permanent wall that is capable of holding a substantial load. The maximum recommended total weight for this baby changing station is 50 lbs. Excessive weight may cause a hazardous or unstable condition to exist.

Inspection Criteria

A properly maintained baby changing station:

- Opens and closes smoothly.
- Has a functioning strap and buckle. Strap is held firmly in place when buckle is depressed over it.
- Offers parents liners through a fully stocked liner dispenser. (Dispenser built into unit.)
- Provides a clean, convenient place for customers to attend to their children.

Restraint System

Check strap by releasing the lever on the buckle and pulling one end of the strap up through the bottom of the buckle, depressing the lever when the strap is tight. Give the strap a tug in the horizontal direction away from the buckle, checking that the strap remains in place beneath the buckle. To loosen the strap, release the lever and pull the strap from the bottom of the buckle.

ASTM F2285-04 (2016)

- ⚠ **WARNING:** Never leave child unattended.
- ⚠ **WARNING:** Avoid serious injury from falling or sliding out. Always use restraint system.
- ⚠ **WARNING:** Designed for Infants Only. Age up to 3.5 years and weighing less than 50 lb (22.7 kg). Keep one hand on the child at all times.

Parcels or accessory items, or both, placed on the unit may cause the unit to become unstable.



Replacement Parts

For a list of replacement parts for this product, (such as straps, shocks and labels) please visit www.koalabear.com.

Replacement parts and additional liners can be purchased from your local distributor or direct from Koala at www.koalabear.com.

ADA Requirements

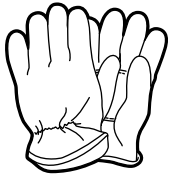
Additional information on how this product complies with ADA requirements can be found in the *KB310 & KB311 Baby Changing Stations Accessibility Compliance* document on www.koalabear.com.



KB310-SSRE

Installation Instructions

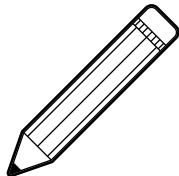
Tools Needed



Safety Gloves



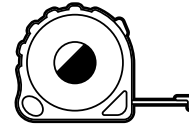
Drill



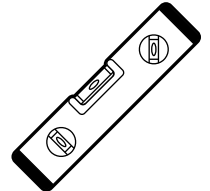
Pencil



Wall Stud Finder



Measuring Tape



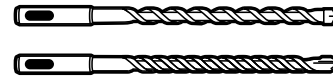
Level



Phillips Head
Screwdriver

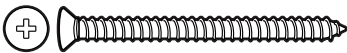


1/8" (3mm)
(regular & masonry)
drill bits

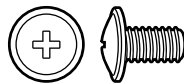


7/32" (6mm)
(regular & masonry)
drill bits

Hardware Provided



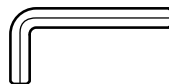
1/4" x 3"
Flat Head Wood Screws
Quantity: 6



8-32" x 5/16"
Flange Button Phillips Head Screws
Quantity: 4



9/32" x 7/8"
Flat Head Phillips Screws
Quantity: 3



Allen Wrench
Quantity: 1



Scan the QR code to view the installation video and to find product resources. Also available at:

www.koalabear.com/product-catalog/kb310-ssre/





KB310-SSRE

Installation Instructions

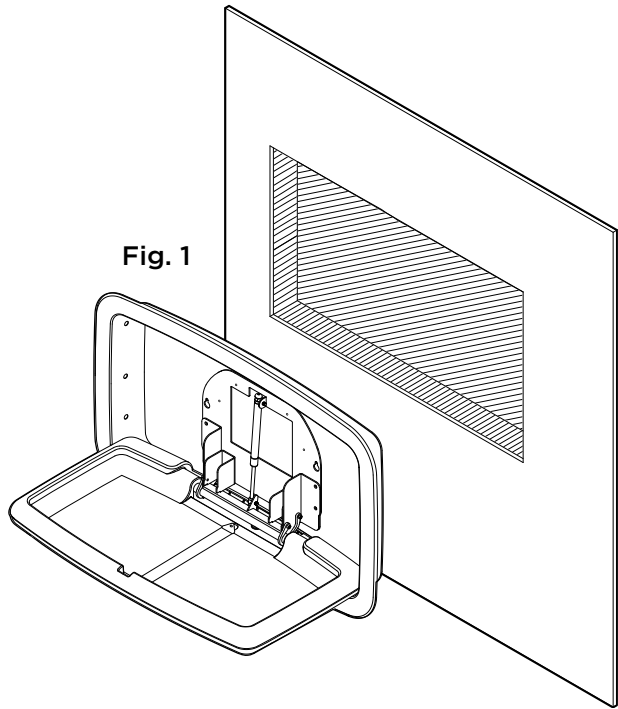


Fig. 1

Step 1:

- Prepare the rough wall opening per the Technical Data sheet. **Fig. 1** For more information navigate to www.koalabear.com.
- Be sure to wear safety gloves to protect your hands from the products exposed metal edge.

Step 2:

- Remove the handles and bag hook from the packaging and set to one side.
- Open the unit by pulling up on the handle mounting studs and remove the plastic liner dispenser from inside the unit and set to one side.

Step 3:



- With the assistance of a second person, lift and position the unit into the rough wall opening.
- Have one person hold the unit and place into the wall while the other opens the unit using the handle mounting studs.

Step 4:

- Open unit fully and you will have access to the six mounting holes on either side of the unit. **Fig. 2**
- Using the hardware provided, predrill and screw through the mounting holes. **Do not over tighten.**
- Once secured, the unit will no longer need to be held in place.

Step 5:

- With the unit open, take the liner dispenser and position it over the exposed metal frame in the center of the recess.
- Use the provided key to open the liner dispenser. This will provide access to the four mounting holes.
- Use the provided hardware to secure the liner dispenser to the metal frame. **Fig. 3**
- Lock the liner dispenser and close the unit.

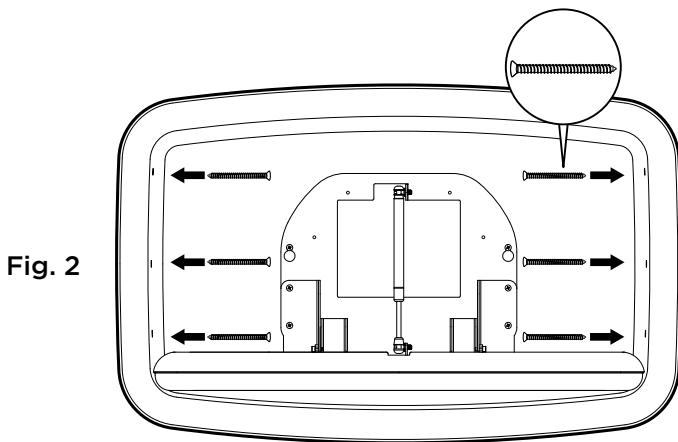


Fig. 2

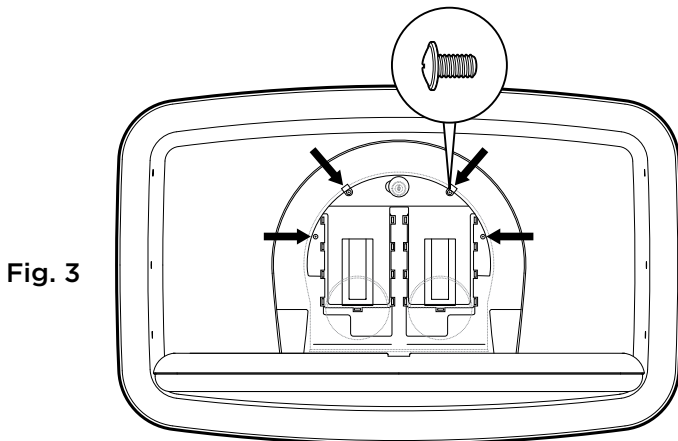


Fig. 3

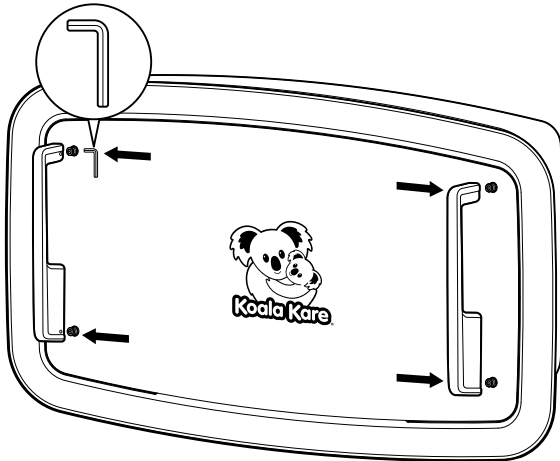
*Diagrams are not to scale.



KB310-SSRE

Installation Instructions

Fig. 4



Step 6:

- Take one of the provided handles and position it over the handle mounting studs, so that the open portion is toward the top of the unit.
- Use provided Allen wrench to tighten the set screws in the handles, securing it to the handle mounting studs. **Fig. 4**
- Repeat for the opposite handle.

Step 7:

- Test the unit by opening and closing multiple times, ensuring it opens and closes smoothly.
- Remove protective film from the surface of the unit.

Step 8:

- To install the bag hook, measure up 44" from finished floor in the desired location and mark the wall. **Fig. 5**
- Position the bag hook on the wall so that the top of the mounting plate is level with the 44" mark.
- Position the bag hook over a wall stud for optimal strength.
- Mark then predrill the mounting holes.
- Use the provided screws to secure the bag hook in position, then take the escutcheon plate and screw it over the mounting plate to cover the mounting screws. **Fig. 6**

Fig. 5

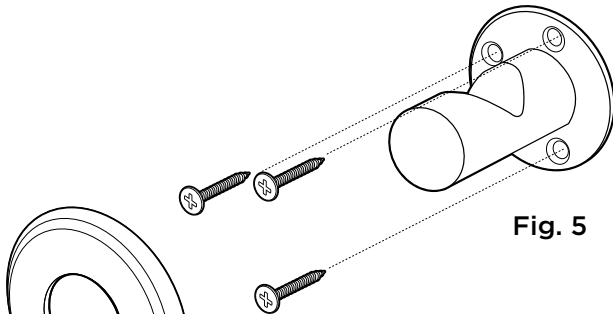
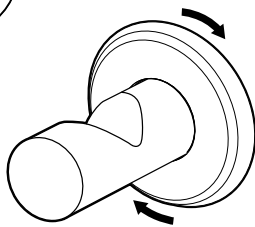


Fig. 6



Koala Kare Products
A Division of Bobrick

6982 South Quentin Street, Centennial, CO 80112-3945

Main: 303.539.8300 | **Toll Free:** 888.733.3456 | **Fax:** 303.539.8399

Website: koalabear.com | **Email:** customerservice@koalabear.com