

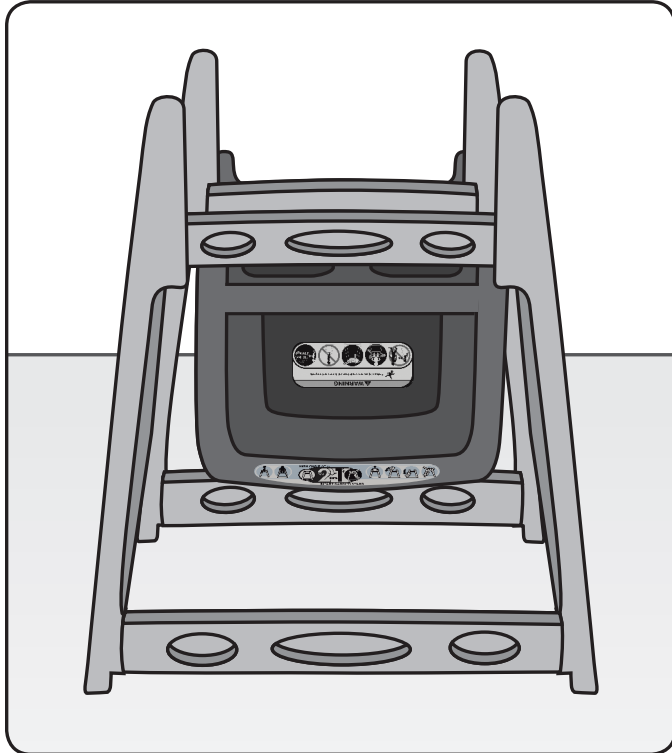


**Koala  
KidSitter**

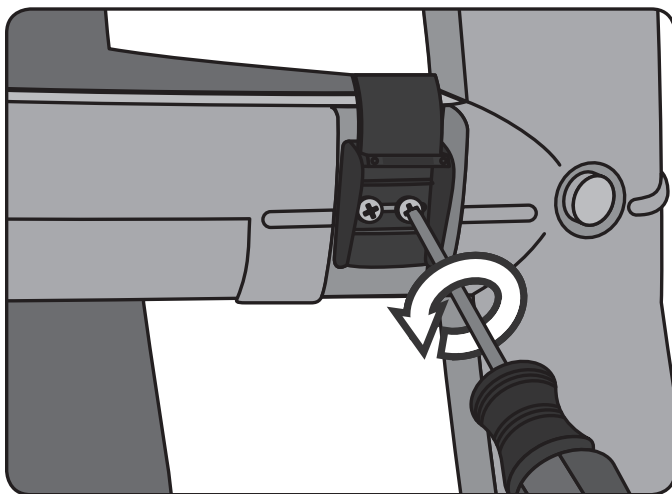
## Kradle Strap Replacement Instructions

### Materials Supplied:

Three #8-32 3/8" Phillips Pan Head Machine Screws



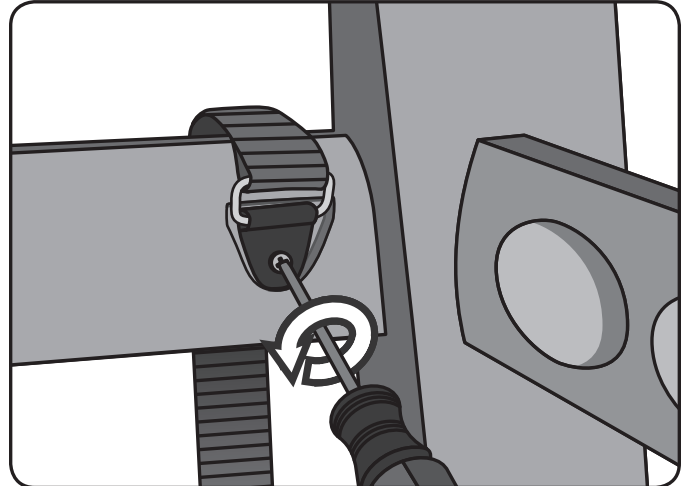
**1.** Position the KidSitter so that it is in the infant seat kradle position. Release the strap from the buckle on the outside of the high chair leg.



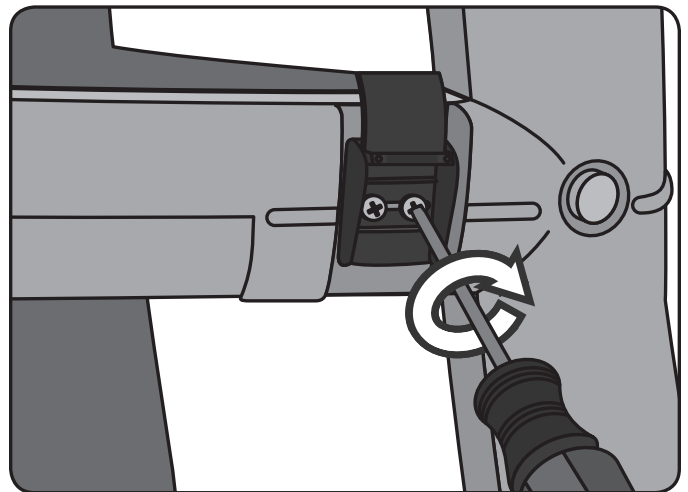
**2.** Locate the plastic clip on the left leg and open it so that the two screws securing it to the leg are exposed. Using a Phillips Head Screwdriver remove the two screws. Discard the old clip and screws.

### Tools Required:

Phillips Head Screwdriver

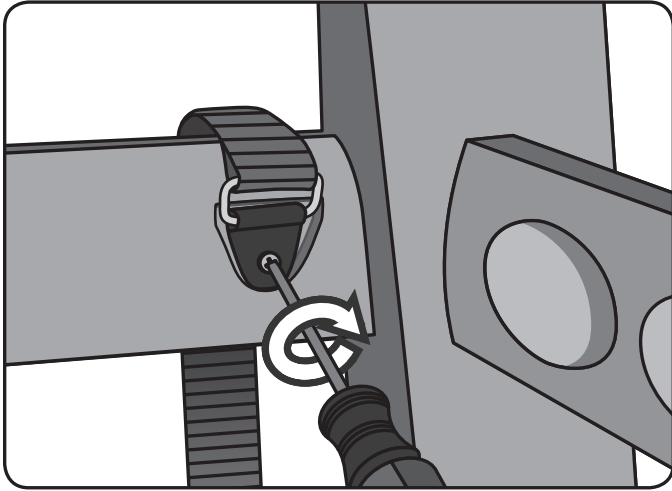


**3.** On the right leg, loosen the screw securing the strap to the chair. Discard the old strap and screw.



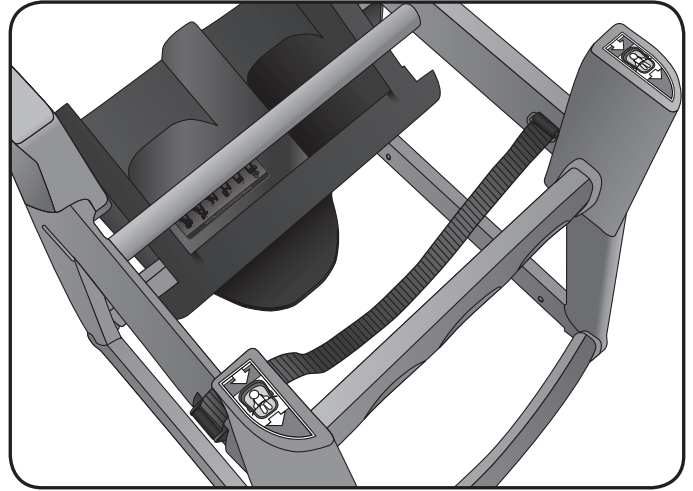
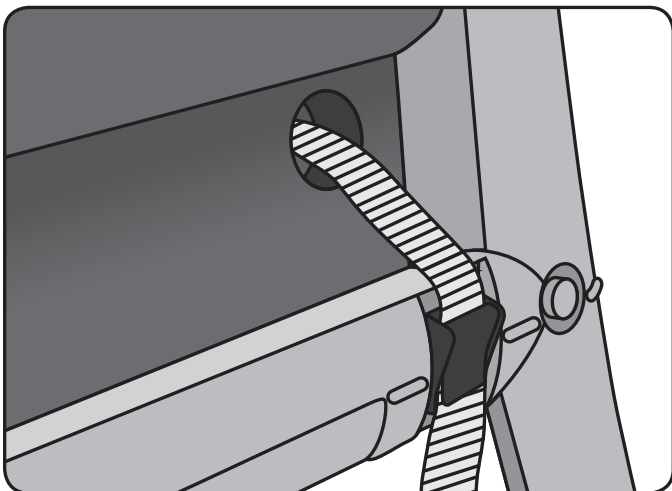
**4.** Take the new clip and position it on the left leg so that slot in the clip aligns with the two holes on the left leg. The plastic lever should be at the top of the clip. Using a Phillips Head Screwdriver, secure the clip to the leg with two of the screws provided.

**Instructions Continued on the Back**



**5.** Take the new strap and position it on the right leg so that the hole in the chafe tab aligns with the hole in the right leg. Use a Phillips Head Screwdriver to secure the strap to the leg, using the screw provided.

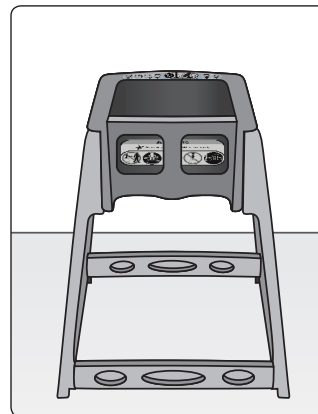
**6. For Older Versions of the KidSitter:** Position the KidSitter so that it is in the High Chair position. Thread the strap through the hole on the right side of the seat across the seat surface and through the hole on the left side of the seat. Thread the strap into the clip and push down on the clip to secure the strap.



**6. For Newer Versions of the KidSitter:** Position the KidSitter so that it is in the Infant Kradle position. Lay the strap loosely across the frame. Thread the strap into the clip and push down on the clip to secure the strap. Position the seat in the high chair position. If the strap is too tight, you will not be able to return the seat to the high chair position, so you may need to add slack.

**7.** Clean the KidSitter and return it to use.

**Older Version**



**Newer Version**

