



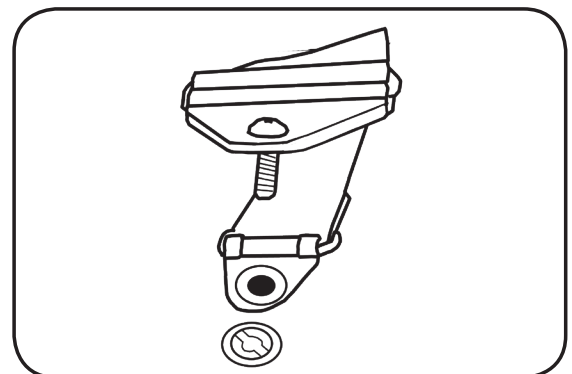
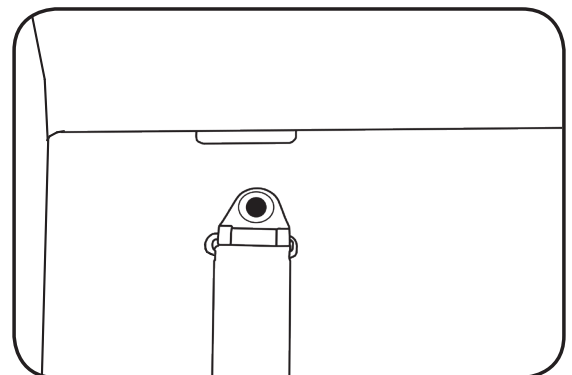
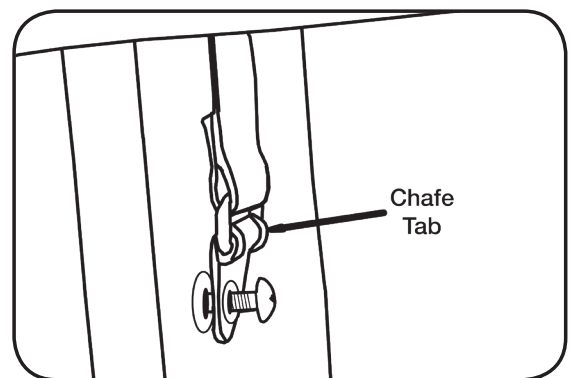
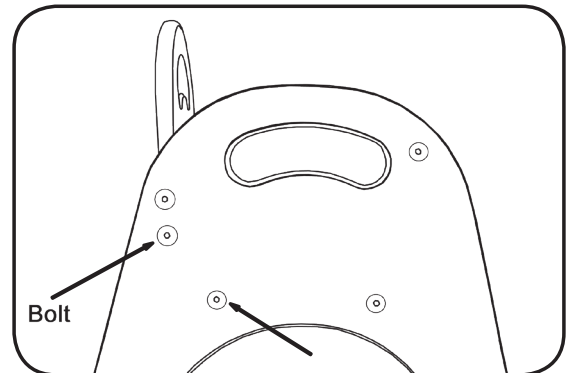
## KB105 3-Way Restraint Replacement Strap Instructions

P/N 268-KIT

**Hardware Included:**  
5/8 Hex Head Machine Screws (3pc)

**Tools Supplied:**  
5/32" and 1/8" Allen Wrench

1. Slightly loosen the bolts on the sides of the seat, but – DO NOT REMOVE.
2. Turn the chair onto its side to reveal the underside of the seat. Unscrew all three screws from the chafe tabs on underside of the seat using the 1/8" Allen Wrench supplied.
3. Loosen the side panels from the seat slightly using the 5/32" Allen Wrench supplied and pull the straps out through the slots on each side of the chair. Keep the wide middle strap in the slot while pulling out the narrow strap located behind it. Discard the old strap and screws.
4. To install the new strap, stand chair upright, place the three strap harness on the seat. Thread the chafe tabs through the three slots to the underside of the seat. Ensure that the center strap is threaded behind the wide crotch strap.
5. Once the straps are threaded through to the underside of the seat, thread the screws provided through the plastic chafe tabs. Tighten each screw into seat. Note: the center screw will go through the wide crotch strap and then the narrow center strap.
6. Slot the seat back into the sides and tighten the side bolts that were loosened in Step 1. Ensure straps do not move from their position.



**Koala Kare Products** A Division of Bobrick  
6982 South Quentin St., Centennial, CO 80112-3945

**Main** 303.539.8300 **Toll Free** 888.733.3456  
**Fax** 303.539.8399 **Koalabear.com**

P/N 430 - June 2017