



## KB105 Logo Crotch Strap Replacement Instructions

P/N 266-KIT

### Hardware Included:

5/8 Hex Head Machine Screws (1pc)

### Tools Supplied:

Allen Wrench

1. Using a sturdy table surface or the floor, place chair on its back with the Koala logo facing up. This will allow access of the crotch strap screw on the seat bottom.

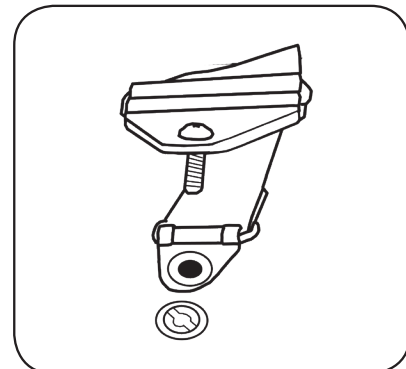
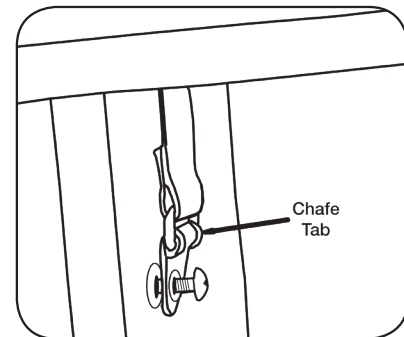
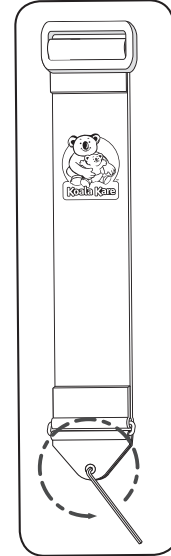
2. Remove the Allen wrench from the kit and unscrew the center screw attached to the crotch strap. When loosened, remove the screw from the chafe tab and discard.

3. Grasping the strap just below the Koala logo, pull upwards on the strap, gently gliding the chafe tab through the seat slot. Do not remove any other straps which may also protrude through this opening. Remove the logo crotch strap completely from the chair and discard the old strap.

4. To install the new strap, place the strap (logo side up) through the slot in the cross bar at the front of the seat. Insert the chafe tab through the opening on the seat of the chair. Ensure any additional loose straps are threaded through the seat opening, beneath the logo crotch strap.

5. Once the straps are threaded through to the underside of the seat, thread the screw provided through the plastic chafe tabs. Tighten the screw into seat. Note: the center screw will go through the wide crotch strap and then the narrow center strap.

6. Gently pull on strap to ensure it is tightened properly and securely.



**Koala Kare Products** A Division of Bobrick  
6982 South Quentin St., Centennial, CO 80112-3945

**Main** 303.539.8300 **Toll Free** 888.733.3456  
**Fax** 303.539.8399 **Koalabear.com**

P/N 400 - August 2019