



# Koala Diner & KidSitter® Caster Installation Instructions

1252-KIT

## Hardware Supplied:

Caster Bracket (2pcs)

Screws (4pcs)

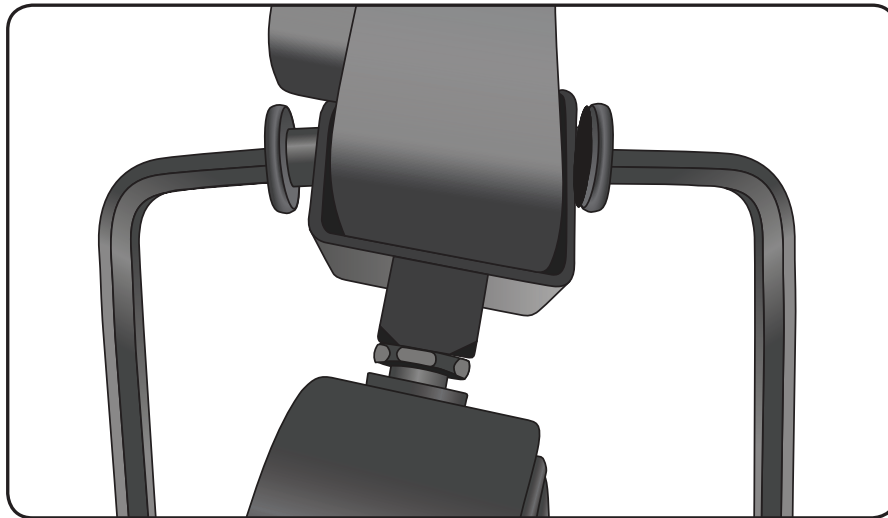
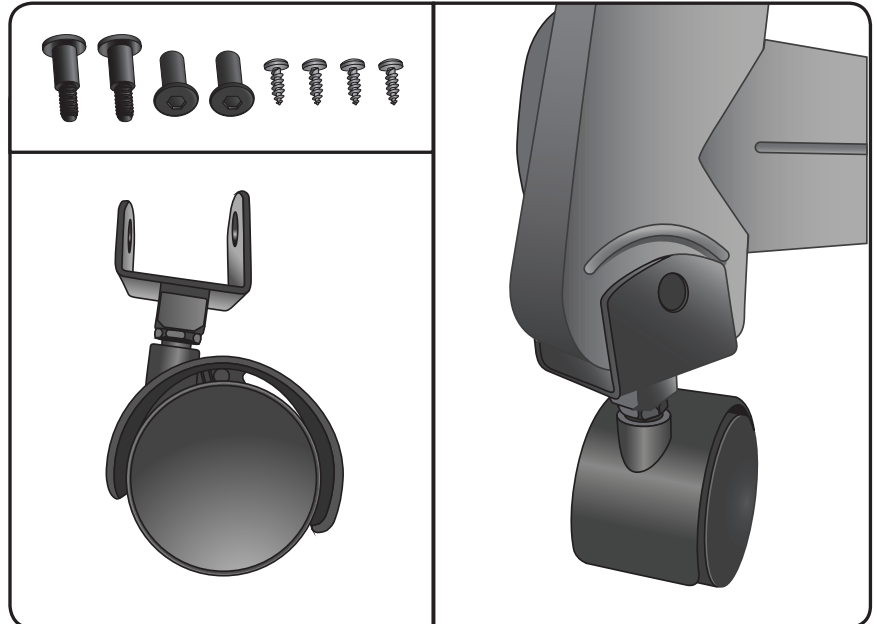
Nut and Bolt Joint Connectors  
(2sets)

7/32 Allen Wrench (2pcs)

## Tools Required:

Phillips Head Screwdriver

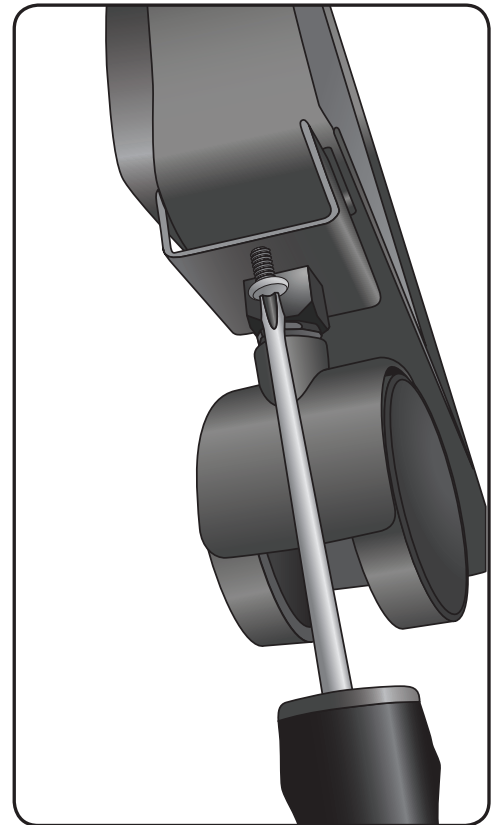
**1.** Place and align the caster with the hole at the bottom corner of the leg. The taller caster bracket should face towards the outside of the chair.



**2.** Position the Allen wrenches on the nut and bolt joint connectors. Tighten one of the Allen wrenches while holding the other one to prevent from rotating. Do not over-tighten.

**3.** Use a Phillips head screwdriver to attach the 2 screws at the bottom of the caster bracket. Do not over-tighten the screws.

**4.** Repeat steps 1 thru 3 if more casters need to be installed.



**Koala Kare Products** A Division of Bobrick  
6982 South Quentin St., Centennial, CO 80112-3945

**Main** 303.539.8300 **Toll Free** 888.733.3456  
**Fax** 303.539.8399 **Koalabear.com**

P/N 1191 - February 2017