



KB950-KD Diner High Chair Assembly Instructions

Please Note: This product is designed to be used by an infant or child capable of sitting upright and unassisted. Waist restraint should be buckled at all times when in use.



⚠ WARNING:

- Always keep child in view while in the high chair. Stay near and watch child during use.
- Always use restraints, and adjust to fit snugly. The child should be secured in the high chair at all times by the restraining system.
- It is recommended that the high chair be used only by children capable of sitting upright unassisted.
- Do not use the high chair unless all components are correctly fitted and adjusted.
- **FALL HAZARD:** Children have suffered severe head injuries including skull fractures when falling from high chairs. Falls can happen suddenly if a child is not restrained properly.

You are responsible for the safe operation of this unit.

Inspection Criteria

A properly maintained unit:

Has three ends of a functioning, non-frayed strap. Buckle clicks when closed and is attached at all ends on seat bottom.

Has an intact warning label affixed to the seat back. (If damaged or unreadable, please replace.)

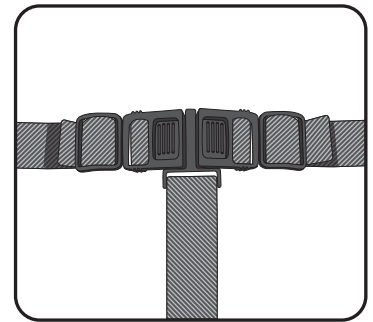
All plastic parts firmly attached by provided hardware, and should be tightened as necessary.

To order replacement parts call 888.733.3456 or 303.539.8300 or visit www.koalabear.com.

Restraint Usage

To fasten the waist strap, push spring tabs into the buckle receptacle until both lock in place with an audible “click”.

The waist restraint can be adjusted to make the strap tighter or looser.



Maintenance

Clean and sanitize regularly. Wipe down high chair with a soft rag using a non-abrasive cleaner.

Important: DO NOT USE BLEACH on this product. May cause discoloration. Use of bleach on this product will void warranty. Do not use abrasive cleaners as they can scratch the product.

Koala Kare Products A Division of Bobrick
6982 South Quentin St., Centennial, CO 80112-3945

Main 303.539.8300
Fax 303.539.8399

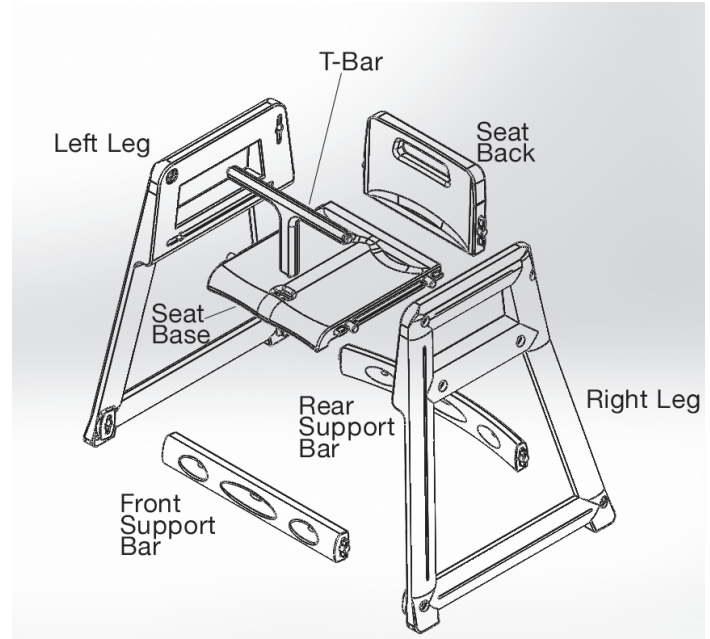
Toll Free 888.733.3456
Koalabear.com



KB950-KD Diner High Chair Assembly Instructions

KB950 Package Contents

Left and Right Legs
Front and Rear Support Bars
T-Bar
Seat Base (with strap)
Seat Back (with labels)
1/4-20 x 2" Bolts (12 pc)
Lock Washers (12 pc)
5/32" Hex Key (2 pc)



Assembly Instructions

1. Thread one lock washer on each of the bolts.
2. Assemble the t-bar and seat base by inserting bottom of t-bar into the recess on the seat surface.
3. Attach the seat base and t-bar to the right leg.
4. Attach the front and rear support bars to the right leg. The textured side of the bars should be facing out and the small holes facing the floor.
5. Attach the seat back to the right leg. Warning label should be facing into the seating area.
6. Lay the partially assembled chair on the right leg so that the components are facing up and place the left leg on top. Attach the seat to the left leg.
7. Attach the remaining pieces to the left leg.
8. Double check that all bolts are tight. Do not over-tighten.

**Check and tighten all connections
Do not over-tighten**