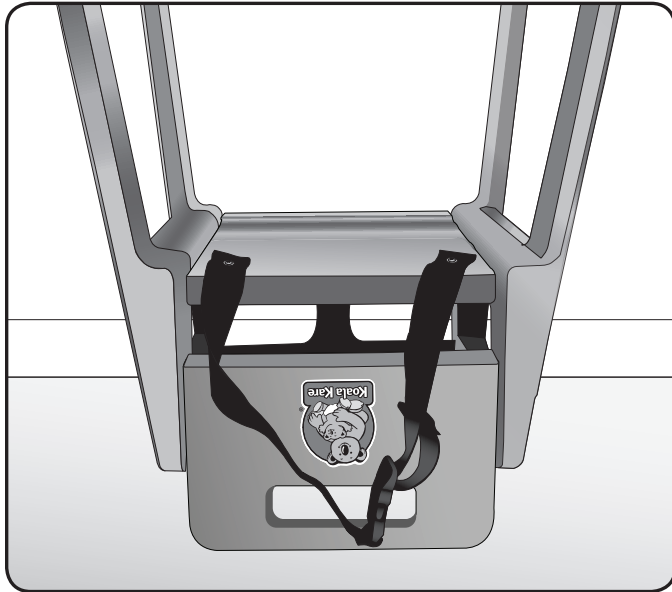


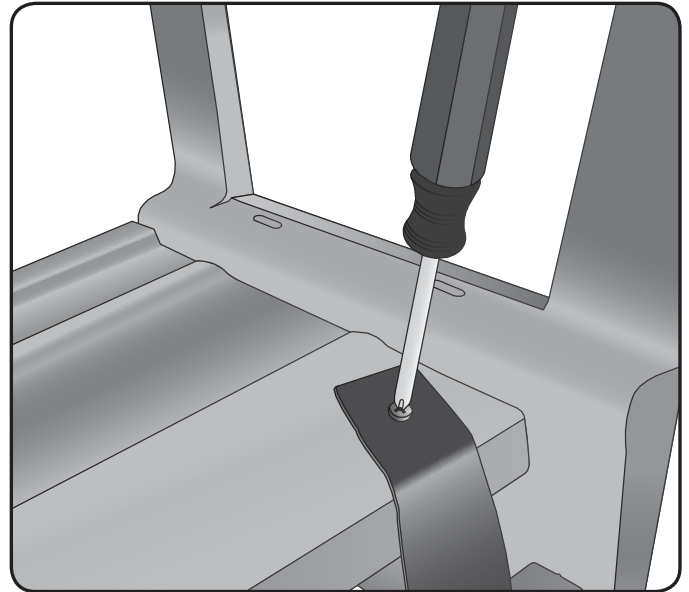


# Koala Diner Strap Replacement Instructions

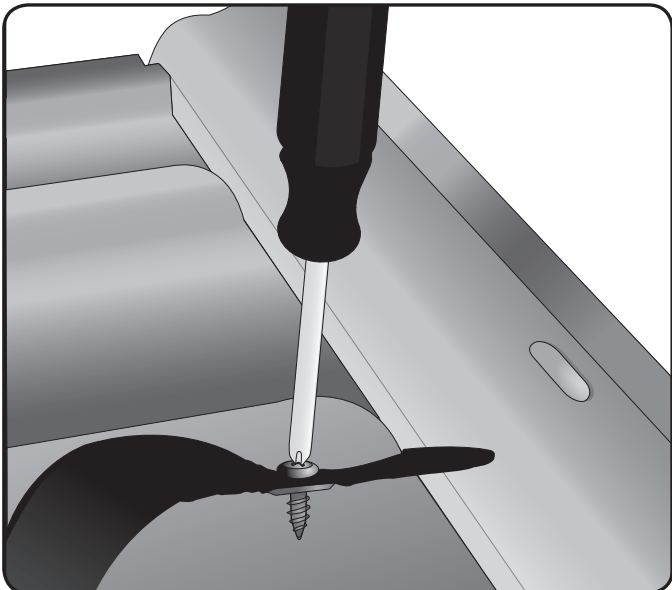
**Materials Supplied:** Two #8 x 1/2 Phillips Head Machine Screws **Tools Required:** Phillips Head Screwdriver



**1.** Position the Diner High Chair so the bottom of the seat surface is visible.



**2.** Locate the two screws attaching the strap to the underside of the seat. Using a Phillips Head Screwdriver remove the two screws. Discard the old strap and screws.



**3.** To install the new strap, thread the provided screws through the holes in each end of the strap and tighten each screw into the underside of the seat.



**4.** Clean high chair and return it to use.

**Koala Kare Products** A Division of Bobrick  
6982 South Quentin St., Centennial, CO 80112-3945

**Main** 303.539.8300 **Toll Free** 888.733.3456  
**Fax** 303.539.8399 **Koalabear.com**