

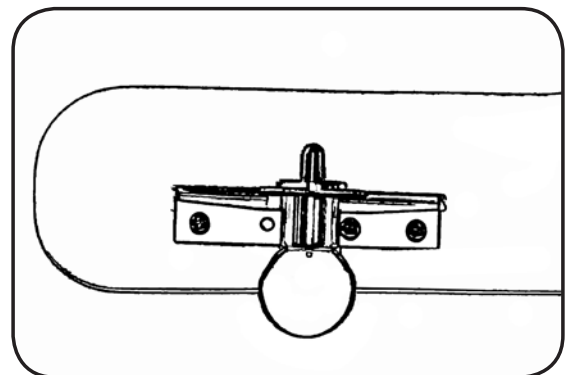
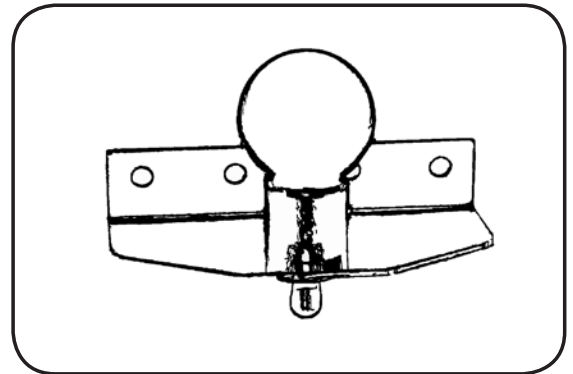
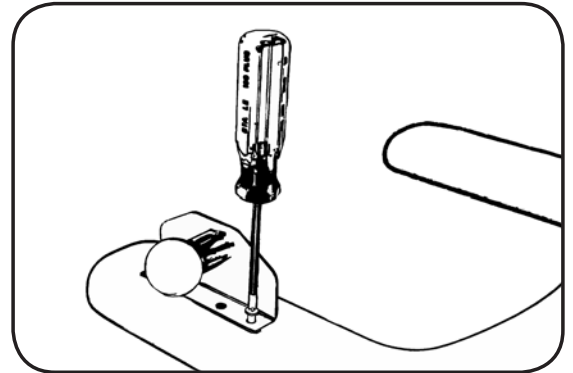


## KB104 Replacement Glide Instructions

P/N 901-KIT

**Materials Included:**  
Phillips Head Thread Forming Screws (3pc)  
Glide Hardware

1. Remove the tray from the high chair and place it face down on a table.
2. Locate the glide that needs replacing and using a Phillips head screwdriver remove the three screws securing it to the tray.
3. Discard the old glide and screws.
4. Take the new glide and position it so that three of the four holes align with the three mounting holes in the tray. The red ball should be facing the outside edge of the tray.
5. Use a Phillips head screwdriver to secure the glide to the tray with the three screws provided.
6. To ensure the new glide is functioning correctly, test the spring by lightly pulling outwards on the red ball.
7. Clean the tray and return it to use.



**Tools Required:**  
Phillips Head Screwdriver