



# KOALA KARE PRODUCTS

## Installation and Operation Instructions



## KB100-ST and KB110-SSRE Baby Changing Stations

Cambiador Plegable

Table à Langer

Babywickelstation

**IMPORTANT.** RETAIN FOR FUTURE REFERENCE. READ CAREFULLY.

**IMPORTANTE.** GUÁRDELO PARA FUTURAS CONSULTAS. LEER ATENTAMENTE.

**IMPORTANT.** À CONSERVER POUR INFORMATION. À LIRE ATTENTIVEMENT.

**WICHTIG.** ZUR SPÄTEREN BEZUGNAHME AUFBEWAHREN. BITTE SORGFÄLTIG DURCHLESEN.

You are responsible for the safe operation of this unit.



## KB100-ST & KB110-SSRE Operating Instructions

**Please Note:** To assure proper installation, it is suggested that a qualified person or carpenter install the Koala Baby Changing Station. Koala Kare Products will not be responsible if the station is not installed properly. Koala Baby Changing Stations have been tested to hold a substantial static load. The unit must be attached to a permanent wall that is capable of holding a substantial load. The maximum recommended total weight for this baby changing station (including baby and parcel bag) is 60 lbs. Excessive weight may cause a hazardous or unstable condition to exist.

**Restraint System:** To fasten the waist restraint strap, place strap around child's midsection, and push spring tabs into buckle until both spring tabs lock in place with an audible "click". Straps can be adjusted to make strap tighter or looser as required.

### Inspection Criteria:

- A properly maintained baby changing station:
- Opens and closes smoothly
- Has both ends of a functioning, non-frayed strap:  
buckle clicks when closed and strap is attached to unit at both ends.
- Offers parents liners through a fully stocked liner dispenser. (Dispenser built into unit.)
- Provides a clean, convenient place for customers to attend to their children.

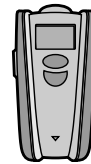
### Tools Needed



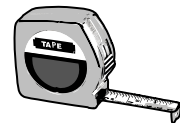
gloves



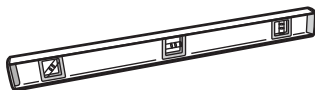
drill



stud finder



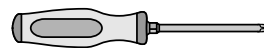
measuring tape



level



1/8" (3 mm)  
(regular & masonry)  
drill bits



Phillips head  
screwdriver

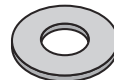


pencil

### Hardware Provided



four 1/4" x 3" (6 mm x 76 mm)  
Phillips panhead wood screws



four 1/4" (6 mm)  
flat washers



## KB100-ST & KB110-SSRE Installation Instructions

### Step 1.

Remove changing station from the shipping container and check for any freight damage. Identify the best location for installing the unit. Hold the unit in place and open the bed. Make sure you have taken the operating clearance into consideration.

### Step 2.

Select the wall area where the unit will be installed. Measure from the floor  $46\frac{1}{2}$ " (1181 mm) on stud center and mark the wall. Hold the unit in place to verify the alignment. Mark rough opening  $35\frac{1}{2}$ " W x  $20\frac{1}{2}$ " H (902 mm x 521 mm) and cut a hole in the wall with a minimum depth of  $4\frac{1}{4}$ " (108 mm) as measured from the finished surface of the wall (ie: tile, drywall, etc). Construct mounting frame as indicated in the illustration. If the wall surface is masonry or tile over wood studs, use caution when cutting rough opening.

### Step 3.

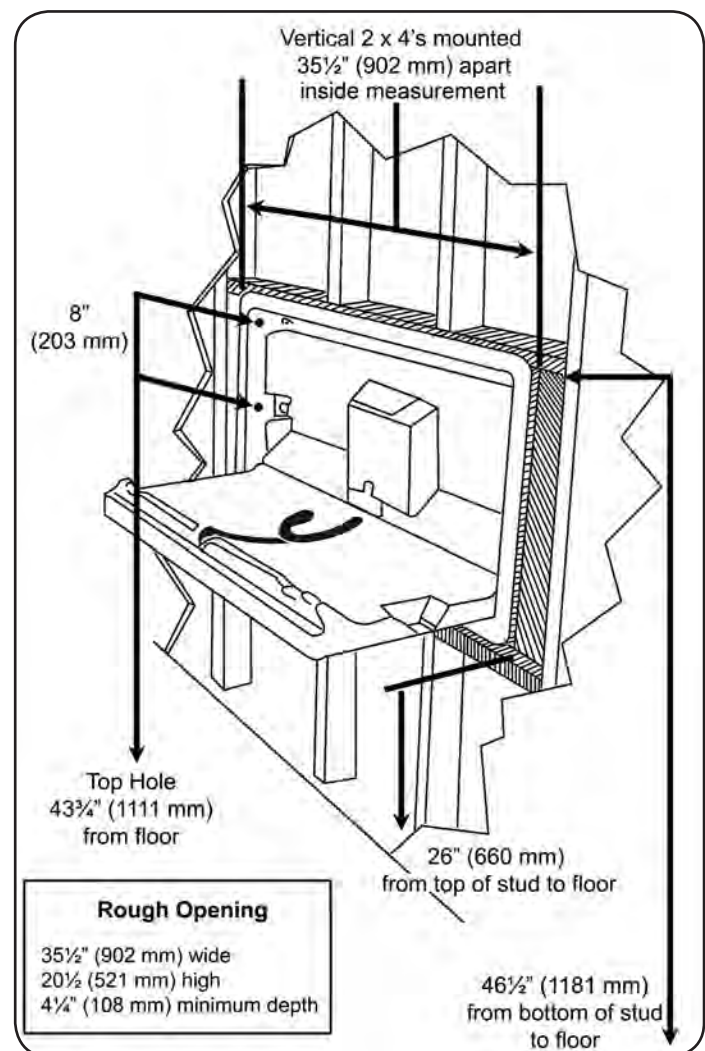
Mount the unit using four  $\frac{1}{4}$ " x 3" wood screws through side holes as shown in illustration.

### Step 4.

Place the unit into the recessed area and use the side mounting holes as a guide to drill a pilot hole using a  $\frac{1}{8}$ " drill bit. Insert the screws and flat washers through the side mounting holes to hold the unit in place. It may be necessary to adjust the level of unit by using a shim on the top right or left side of the unit before tightening securely to the studs.

### Step 5.

Position Koala sign (supplied) on the outside of the restroom door. Fill the built-in dispenser with sanitary bed liners. Replacement parts and additional liners can be purchased from your local distributor or by calling toll free 888.733.3456 or 303.539.8300 in the U.S.





# KB100-ST & KB110-SSRE ASTM F 2285-04 (2016)

## ENGLISH

**⚠ WARNING:**  
Never leave child unattended.

**⚠ WARNING:** Avoid serious injury from falling or sliding out. Always use restraint system.

**⚠ WARNING:** Designed for Infants Only. Age up to 3.5 years and weighing less than 50 lbs (22.7 kg). Keep one hand on the child at all times. Parcels or accessory items, or both, placed on the unit may cause the unit to become unstable.

⚠ WARNING	
⚠ WARNING	Never leave child unattended.
⚠ WARNING	Avoid serious injury from falling or sliding out. Always use restraint system.
⚠ WARNING	Designed for Infants Only. Age up to 3.5 years and weighing less than 50 lb (22.7 kg). Keep one hand on child at all times.
<small>Koala Kare Products, A Division of Bobrick 6982 S. Quentin Street Centennial, CO 80112 PH 888-733-3456 www.koalabear.com P/N 975</small>	

## ESPAÑOL

**⚠ ADVERTENCIA:**  
No deje nunca al niño desatendido.

**⚠ ADVERTENCIA:** Evite que el niño se lesione por caerse o resbalarse del cambiador Use siempre el sistema de sujeción.

**⚠ ADVERTENCIA:** Diseñado exclusivamente para bebés. Hasta 3 años y medio de edad y con un peso inferior a 50 libras (22,7 kg aproximadamente). Mantenga siempre al niño sujeto con una mano.

Colocar paquetes o accesorios, o ambas cosas, encima del cambiador puede provocar que se desestabilice.

## FRANÇAIS

**⚠ ATTENTION:**  
Ne laissez jamais un enfant sans surveillance.

**⚠ ATTENTION:** Évitez les blessures occasionnées par une chute ou une glissade. Utilisez toujours le système de retenue.

**⚠ ATTENTION:** Conçue uniquement pour les jeunes enfants. Jusqu'à 3 ans et demi et moins de 50 lb (22.7 kg). Conservez une main sur l'enfant à tout moment.

Tout paquet ou accessoire placé sur la table peut créer un déséquilibre.

⚠ WARNING	
⚠ WARNING	Never leave child unattended.
⚠ WARNING	Avoid serious injury from falling or sliding out. Always use restraint system.
⚠ WARNING	Designed for Infants Only. Age up to 3.5 years and weighing less than 50 lb (22.7 kg). Keep one hand on child at all times.
<small>Koala Kare Products, A Division of Bobrick 6982 S. Quentin Street Centennial, CO 80112 PH 888-733-3456 www.koalabear.com P/N 975</small>	

## DEUTSCH

**⚠ WARNUNG:**  
Das Kind niemals unbeaufsichtigt lassen.

**⚠ WARNUNG:** Ernsthaftige Verletzungen durch Herausfallen oder Herausrutschen verhindern. Immer das Rückhaltesystem verwenden.

**⚠ WARNUNG:** Dieses Produkt ist nur für Kleinkinder bis zu 3 1/2 Jahren und einem Gewicht von höchstens 50 lbs. (22.7 kg) vorgesehen. Das Kind immer mit einer Hand festhalten.

Durch Ablegen von Päckchen und Zubehör auf der Wickelstation kann diese instabil werden.