

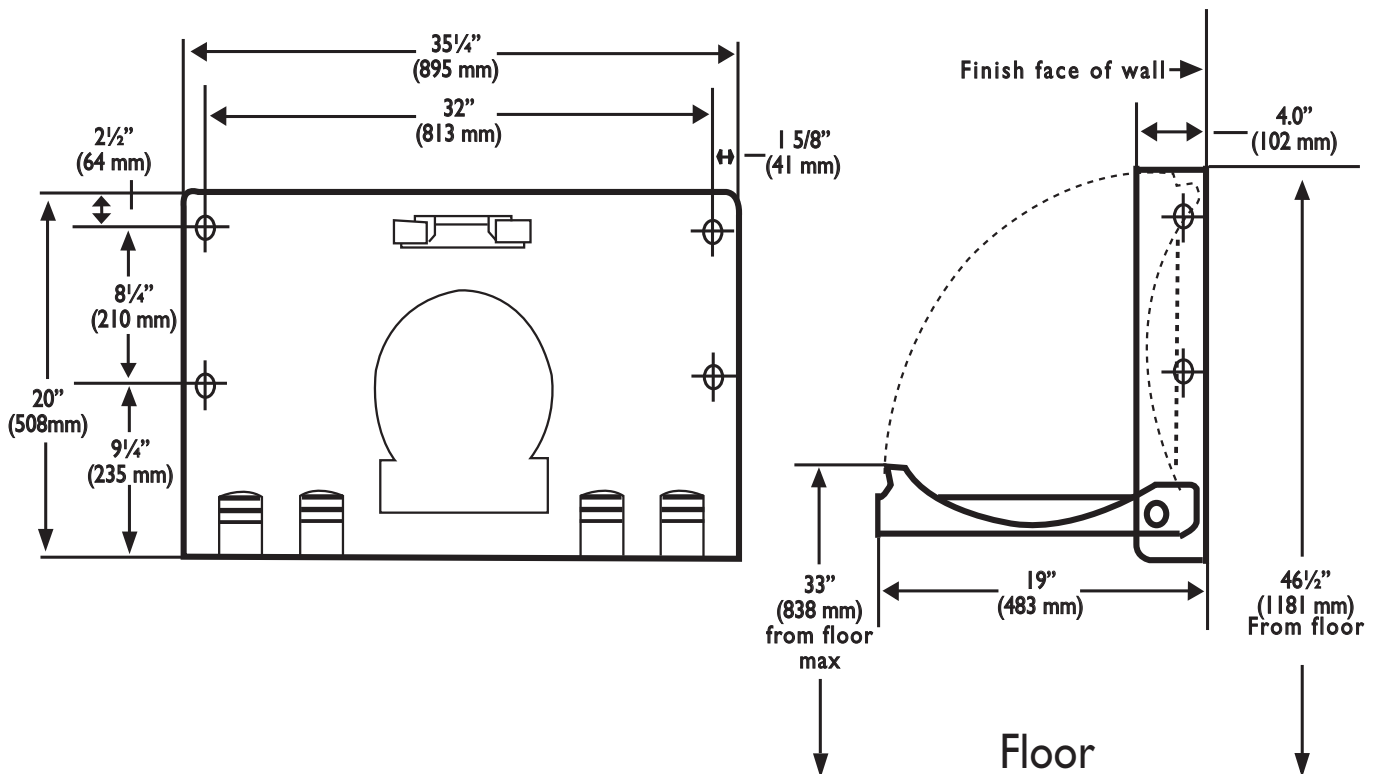
KOALA KARE PRODUCTS

KB100 HORIZONTAL WALL MOUNTED BABY CHANGING STATION

KB100-00 CREAM

KB100-01 GREY

KB100-05 WHITE GRANITE



MATERIALS:

FDA approved blow-molded high-density polyethylene with Microban® antimicrobial additive. Reinforced full-length steel-on-steel hinge mechanism, with 11-gauge steel mounting plates and mounting hardware included. Molded in graphics and safety messages in six languages and braille. Contoured changing surface area is 442 sq. in (2873 sq. mm) and comes complete with nylon safety straps and bag hooks.

OPERATION:

Concealed pneumatic cylinder and hinge structure provides controlled, slow opening and closing of bed. High-density Polyethylene is easy to clean and resists odors and bacterial growth. Complies with ASTM static load performance requirements when properly installed. Molded-in liner dispenser holds approximately 25 KB150-99 sanitary liners.

Warning: To ensure that the unit supports the intended loads, baby changing stations must be properly installed according to the manufacturer's instructions .

SPECIFICATION:

Baby changing station body shall be durable, high-density polyethylene. Design of unit shall be surface-mounted. Unit shall be equipped with a pneumatic cylinder for controlled opening and closing of bed. Bed shall be secured to back plate with a concealed, full-length steel-on-steel hinge. No hinge structure shall be exposed on interior or exterior surfaces. Unit shall have 11-gauge steel mounting plates with mounting hardware included. Unit shall have Microban® antimicrobial embedded into plastic material. Unit shall conform to ANSI S117.1 Accessible and Usable Building and Facilities, ASTM F 2285-04 Standard Safety Performance Specification for Diaper Changing Tables for Commercial Use, ANSI Z535.4 Product Safety Signs and Labels, ASTM G21 Antifungal, ASTM G22 Antibacterial standards or local code if more stringent installation requirements are applicable for Barrier-Free accessibility. Unit shall comply with ADA regulations when properly installed. Bed shall have smooth concave changing area with a nylon safety strap and two hooks for bags or purses. Unit shall have a built-in Liner Dispenser for use with 3-ply chemical free biodegradable sanitary liners, universal instruction graphics and safety messages in 6 languages and braille. Unit shall be backed by manufacturer's 5-year limited warranty on materials and workmanship and include a provision for replacement caused by vandalism. Unit shall be manufactured in the U.S.A.

INSTALLATION:

To ensure proper installation and compliance to building codes, it is recommended that a qualified person or carpenter perform the installation of the unit. The unit must be properly installed onto a permanent wall that is capable of supporting significant weight and can accommodate the supplied installation hardware. The Koala Kare Products® Baby Changing Station meets ADA regulations when properly installed.

1. Remove changing station from the shipping container and check for any freight damage. Identify the best location for installing the unit. Hold the unit in place and open the bed. Make sure you have taken the operating clearance into consideration.

2. Based upon the type of wall on which you will be mounting the station, determine the best method of mounting. You may have left over hardware when you are finished with installation.

3. The horizontal unit has four mounting holes provided in the back wall of the unit. The four holes are positioned on a 32" (813 mm) stud center. If possible, locate the wood or metal studs for fastening the changing station in the desired location. If the walls do not have studs on center as outlined, make sure at least one side of the unit is installed into the stud. Use toggles (may have to purchase) for holes on the other side.

4. Find the stud where you will be attaching the left side of the changing station to the wall. Measure up from the floor 44" (1118 mm), at the center of the stud and mark the wall. Mark remaining holes using a level and measuring tape to make sure holes are precisely positioned. Hold unit in place to check. Use a 1/8" drill bit to make pilot holes and the four 1/4" x 3" panhead screws with washers (supplied) to attach the unit to the wall studs. This will place the bottom of the station 26 1/2" (673 mm) from the floor and the top of the bed at 33" (838 mm) from the floor.

If the wall surface is masonry or tile over wood studs, use a 7/32" masonry drill bit for the pilot hole until you hit the stud. Change bit to 1/8" regular drill bit. Use the four 1/4" x 3" panhead wood screws with washers (supplied).

If the wall has wood studs that are not on 32" (813 mm) centers, has metal studs or an underlying surface of concrete block, drill with a 1/2" (12 mm) masonry bit. (You may have to purchase toggles before installing.) You must allow a minimum of inside wall space for toggles to turn depending on toggles used. Insert and tighten toggles.

5. Position Koala sign (supplied) on the outside of the restroom door. Fill the built-in dispenser with sanitary bed liners. Replacement parts and additional liners can be purchased from your local distributor or by calling toll free 888.733.3456 or 303.539.8300 in the U.S.

The illustrations and descriptions herein are applicable to production as of the date of this Technical Data Sheet. The manufacturer reserves the right to, and does from time to time, make changes and improvements in designs and dimensions without notice.

