

## Coin Mechanism Instructions

- To change vend price, remove the Coin Mechanism's three mounting screws and pull it forward slightly to disengage its rear flange from the locating slot at the rear of the Cabinet. Now, move the Coin Mech to the left to disengage the Actuating Pin from the slot in the Actuating Arm on the side of the Magazine.
- To set the vend price at even dollar amounts (\$1.00, \$2.00 or \$3.00), the #8 Stop Screw is not required - only the Diverter Lockout is used on the Coin Diverters. Put the Diverter Lockout "Up" to close Diverter #1 for a \$1.00 vend setting. Put the Diverter Lockout "Down" to close Diverter #2 for a \$2.00 vend setting. Remove the Diverter Lockout and rotate it 180° so it leaves both Diverters "Open" for a \$3.00 setting.
- To set the vend price at 50¢, 75¢, \$1.25, etc. use the #8 Stop-Screw in the appropriately marked stop hole. Then, either Diverter #1 or #2 will be "closed" with the Diverter Lockout. For example: to set at \$1.75, put the #8 stop screw in the \$1.75 hole and "close" Diverter #2 by moving the Diverter Lockout "Down". Example #2: To set at 50¢, put the #8 Stop Screw in the 50¢ hole and "close" Diverter #1 by moving the Diverter Lockout "Up".

For vending above \$2.00, remove the Nylock nut and rotate the Diverter Lockout 180° and secure it to the Coin Platform with the Nylock nut so it leaves both Diverters in the "Open" position.

Vend Price	#8 Stop Screw Location	#1 Coin-Diverter	#2 Coin-Diverter	Diverter Lockout
50¢	50¢ Hole	Closed	Open	Up
75¢	75¢ Hole	Closed	Open	Up
\$1.00	Not Used	Closed	Open	Up
\$1.25	\$1.25 Hole	Open	Closed	Down
\$1.50	\$1.50 Hole	Open	Closed	Down
\$1.75	\$1.75 Hole	Open	Closed	Down
\$2.00	Not Used	Open	Closed	Down
\$2.25	\$2.25 Hole	Open	Open	Rotate 180°
\$2.50	\$2.50 Hole	Open	Open	Rotate 180°
\$2.75	\$2.75 Hole	Open	Open	Rotate 180°
\$3.00	Not Used	Open	Open	Rotate 180°

If you need to drop the shelves without going through the effort of inserting quarters, simply push the Latch Wire (under each shelf) with your fingernail or any flat tool, such as a screwdriver.

## Customer Service

Should you need repair, parts may be sent to:  
 Laurel Metal Products  
 3500 W. Touhy Ave.  
 Lincolnwood, IL 60712

Please include phone number and return address.

## Limited Warranty

Laurel Metal Products warrants that the goods described in this warranty are free from defects in workmanship and materials for the period of six (6) months.

For breach of the express warranty and any implied warranty on this product, you are limited to the following damages:

If within six (6) months from the date of purchase, this product falls due to a defect in materials or workmanship, Laurel Metal will repair or replace it free of charge. In no event shall Laurel Metal be liable for incidental or consequential damages. Laurel Metals' liability for any claims arising out of this warranty shall not exceed the purchase price of the product.

NOTE: some states do not allow the exclusion or limitation of incidental or consequential damages, so the above limitation or exclusion may not apply to you.

This warranty does not cover damage resulting from accident or from misuse or alteration of the product.

The term of this warranty begins on the date the product is purchased by you, and continues for a period of six (6) months from that date.

To obtain performance of any obligation under this warranty, you must return the complete product prepaid, together with a description of the problem, approximate date of purchase, your name, address and telephone number, to the address listed above.

This warranty gives you specific legal rights, and you may also have other rights that vary from state to state.

This warranty covers any mechanical vender manufactured by Laurel Metal Products.

**LAUREL**  
 METAL PRODUCTS INCORPORATED

3500 W. Touhy Ave.  
 Lincolnwood, IL 60712  
 Toll Free (888) 528-7358  
 (847) 674-0064  
 Fax # (847) 674-0094  
[www.laurelmetal.com](http://www.laurelmetal.com)

# MODEL 300 Drop Shelf Vender



## Operation & Service Manual



## Installation

The vender can be mounted on any vertical surface without removing any part of the unit. Any standard fastener not larger than 3/8" diameter such as wood screws, expansion bolts, machine bolts or carriage bolts can be used depending on the type of wall. The wall section selected for installation should be sturdy.

The top two fasteners should be loosely installed in the wall with the heads of the fasteners projecting out approximately 1/4" from the wall. Raise the top shelf of the magazine into its vend position to expose one of the two top mounting holes in the back of the cabinet. The keyhole shape of the mounting holes will permit you to hang the cabinet on the two fasteners. While in this unsecured position, mark the bottom mounting holes on the wall and remove the cabinet. Install the bottom two fasteners and secure the cabinet to the wall using washers under the heads of all fasteners.

## Loading

The shelves can be easily and quickly reset into the vend position (horizontal) by running the index finger of your right hand up the right side of the shelves. This "fanning" will take only seconds to reset all 24 shelves.

The top shelf has an automatic empty device that will cause the coin mechanism to reject all coins when the vender is empty. Therefore, it is extremely important to load from the top shelf down if the vender will not be fully loaded during restocking.

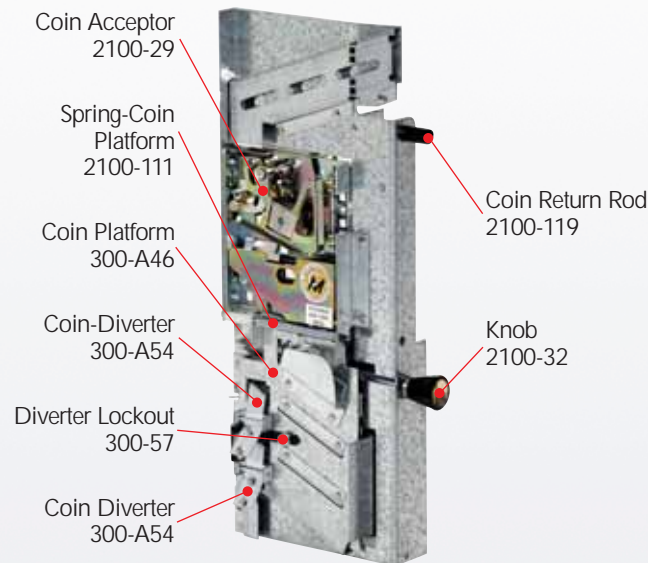
## Coin Mechanism Features

The vender will be factory set to vend at \$1.00 (or \$2.00 for the bottle vender) unless otherwise requested.

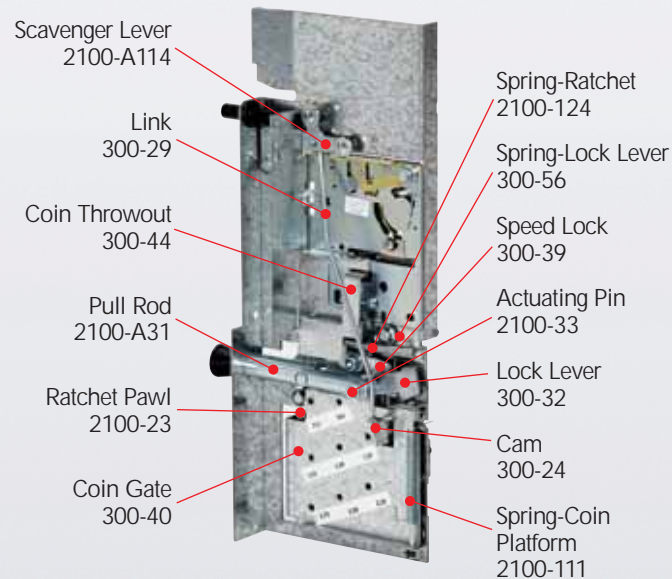
The Coin Mechanism incorporates a new "Speed Lock" device to deter people from rapidly vending the machine, allowing enough time for all the quarters to drop into the Coin Box. If it is vended too fast, the Speed Lock will activate and stop the Pull Rod. However, it will be in ratchet so there is no chance of losing the vend - all you have to do is let off slightly and then continue pulling, allowing the product to drop.

Also, there is a new Coin Throwout that will return any quarters inserted if the Pull Rod is forward of its rest position. This will stop people who pull the handle out to the lock position and then inset quarters, trying to cheat the vender. This Coin Throwout also is used to return all quarters inserted when the last shelf drops and the vender is empty.

## Model 300 Coin Mechanism Part #300-D15

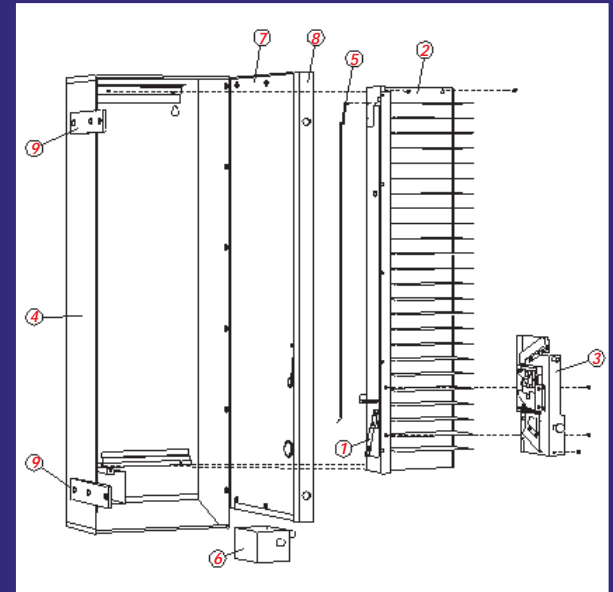


Front View of Coin Mechanism



Rear View of Coin Mechanism

## Model 300 Exploded View



Number	Part #	Description
1	2100-12	Actuating Arm
2	300-D1	Magazine Assembly
3	300-D15	Coin Mechanism
4	2100-A45	Cabinet
5	300-14	Empty Lock Rod
6	300-A69	Coin Box w/Lock
7	300-B70	Door w/Hinge
8	2100-63	Security Frame
9	2100-64	Side Bar